

Phantom MX II

Quick Installation Guide



www.minicom.com

International HQ

Jerusalem, Israel
Tel: + 972 2 535 9666
minicom@minicom.com

North American HQ

Linden, NJ, USA
Tel: + 1 908 486 2100
info.usa@minicom.com

European HQ

Dübendorf, Switzerland
Tel: + 41 44 823 8000
info.europe@minicom.com

Technical support - support@minicom.com

1. What is the Phantom MX II system?

The Phantom MX II system from Minicom is a CAT5 based KVM switching solution for multi-server management. It features 2-User control and mixed multi-platform support on one CAT5 line. It also features Minicom's unique distributed switching technology.

Shielded CAT5 FTP cables connect the Phantom MX II system in a loop. The total length of the CAT5 cables in the system can be up to 110m/360ft, see the configuration diagram on page 4.

2 users working at 2 Phantom Managers control the remote computers. The 2 users control the system through the MX II and the Universal Phantom Manager (UPM). Each remote computer is connected to a micro-sized Phantom Specter II. For 2-user functionality you must use the Phantom Specter II model.

This Quick Installation Guide illustrates the MX II and explains how to install it. For further information please see the softcopy Installation Guide on the Marketing & Documentation CD.

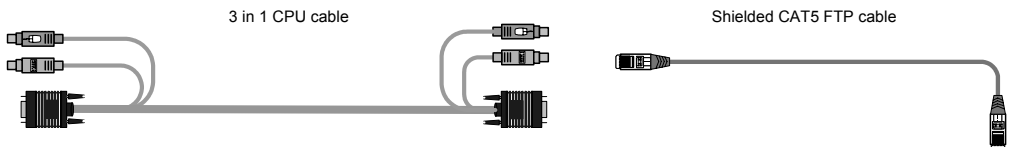
To connect the UPM see the UPM Quick Installation Guide in the UPM package.

2. Use the MX II with or without a computer

To run the Phantom system the MX II does not need to be connected to a computer. When you do connect a computer use the 3 in 1 CPU cable illustrated below.

3. The MX II cables

The cables below connect to the MX II.



4. Rack mounting

The MX II and UPM are rack mountable. They can be mounted together or separately. To obtain a 19" rack tray order P/N 5AC00202.

5. Pre-installation instructions

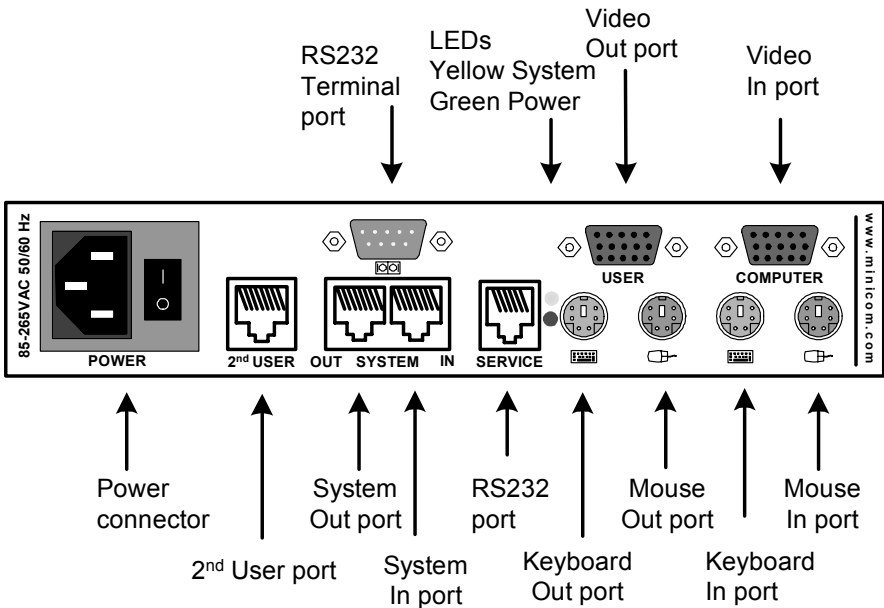
If connecting a local computer, disconnect it from the electrical power supply.

Place cables away from fluorescent lights, air conditioners, and machines that are likely to generate electrical noise.

Caution: For continued protection against risk of fire, replace with the same type and rating of fuse only.

6. Connecting the MX II

The figure below illustrates the rear of the MX II.

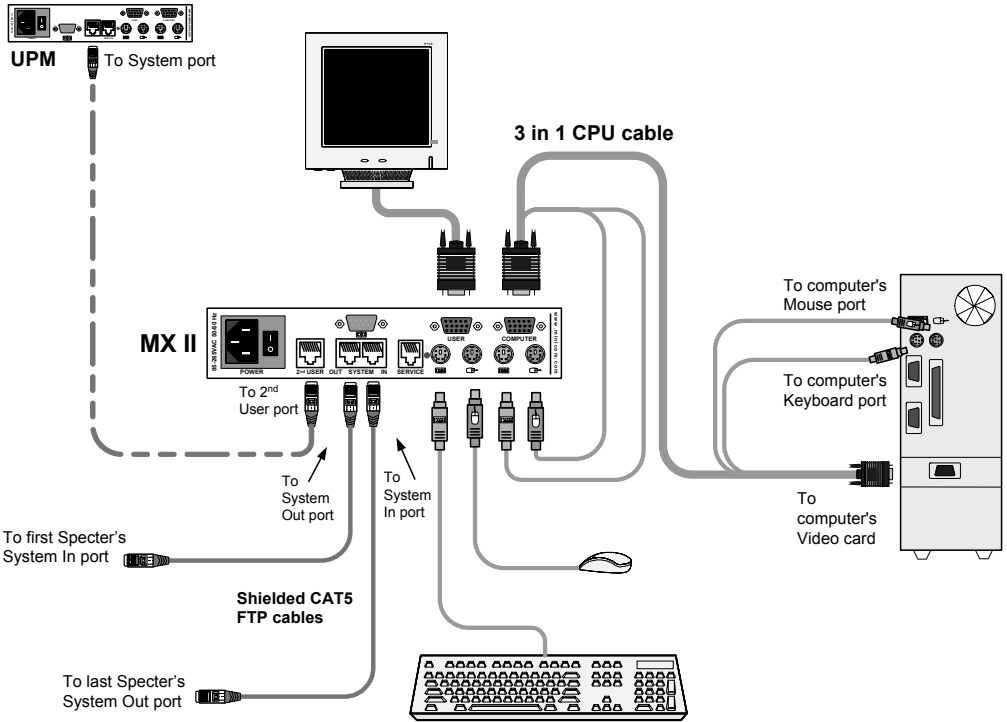


The figure below illustrates the connections of the MX II to the:

- Keyboard, monitor and mouse
- Computer
- UPM

Note! Connecting a computer and the 3 in 1 CPU cable are optional.

Connect the Power cord. Only use the power cord supplied with the MX II.



7. The RS232 Terminal port

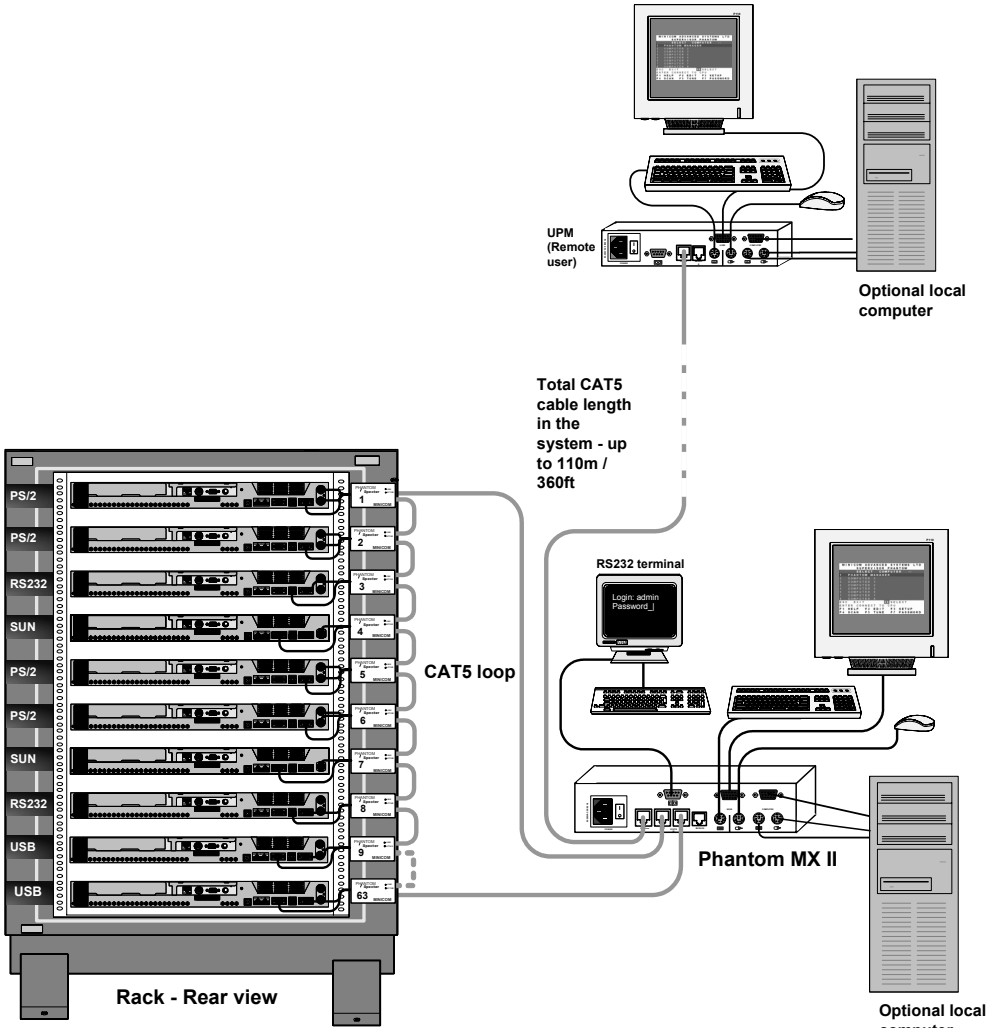
When there are RS232 devices in the system, you have the option of operating them through the computer's Terminal emulation software or through an optional terminal connected to the Terminal port.

8. What happens next?

- Install the UPM and Phantom Specters as explained in their respective Quick Installation Guides.

Note! When connecting the Shielded CAT5 FTP cables to the UPM follow the connection figure above, and not as set out in the UPM Quick Installation Guide.

- See the Read This First (RTF) to give each Specter an ID number and configure keyboard settings. The Phantom system is then ready for use.



The Phantom MX II system configuration

9. USB SUN Combo keys

The PS/2 keyboard connected to a Phantom Manager does not have a special SUN keypad to perform special functions in the SUN Operating System environment. So when a Specter USB or SUN is connected to a SUN computer, the Specters emulate these SUN keys using a set of key combinations called Combo keys. See the table below.

SUN key	Combo key
Stop	Left Ctrl + Left Alt + F1
Props	Left Ctrl + Left Alt + F3
Front	Left Ctrl + Left Alt + F5
Open	Left Ctrl + Left Alt + F7
Find	Left Ctrl + Left Alt + F9
Again	Left Ctrl + Left Alt + F2
Undo	Left Ctrl + Left Alt + F4
Copy	Left Ctrl + Left Alt + F6
Paste	Left Ctrl + Left Alt + F8
Cut	Left Ctrl + Left Alt + F10
Help	Left Ctrl + Left Alt + F11
Compose	Application key or Left Ctrl + Left Alt + Keypad *
Crescent	Scroll Lock
Volume Up	Left Ctrl + Left Alt + Keypad –
Volume Down	Left Ctrl + Left Alt + Keypad +
Mute	Left Ctrl + Left Alt + F12
Sun Left ◊ key	Left Windows key
Sun Right ◊ key	Right Windows key
Alt-Graph	Right Alt or Alt Gr
Stop A	Left Ctrl + Left Alt + 1